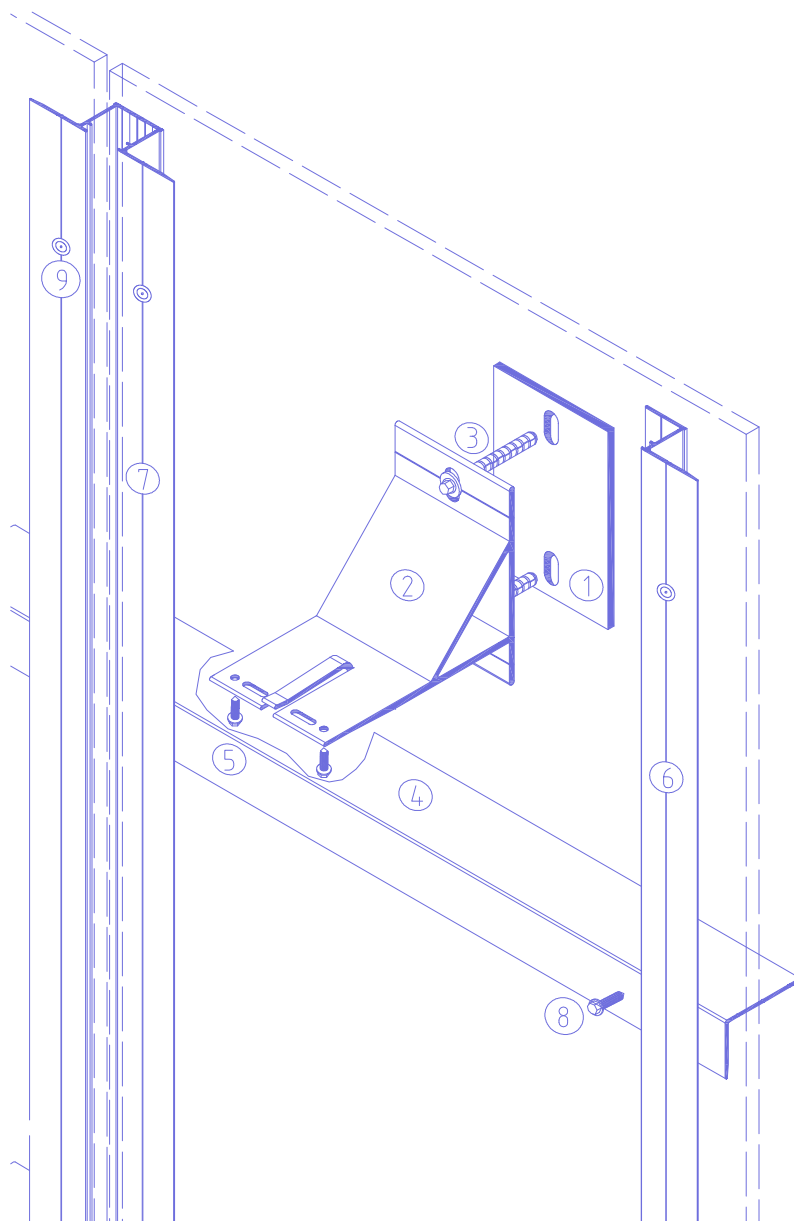


Contens	page 1
Construction depth	page 2
Horizontal section of panel joint	page 3
Horizontal section of mid support	page 4
Horizontal section of external corner	page 5
Horizontal section of internal corner	page 6
Horizontal section of window reveal	page 7
Vertical section of panel joint	page 8
Vertical section of sliding point	page 9
Vertical section of bottom ending	page 10
Vertical section of upper ending	page 11



System F2.10	
Nr.	Description
1	insulator I.F2
2	bracket F2.
3	wall anchor
4	L-profile
5	self drilling screw
6	Z-profile
7	H-profile
8	self drilling screw
9	facade panel fastener

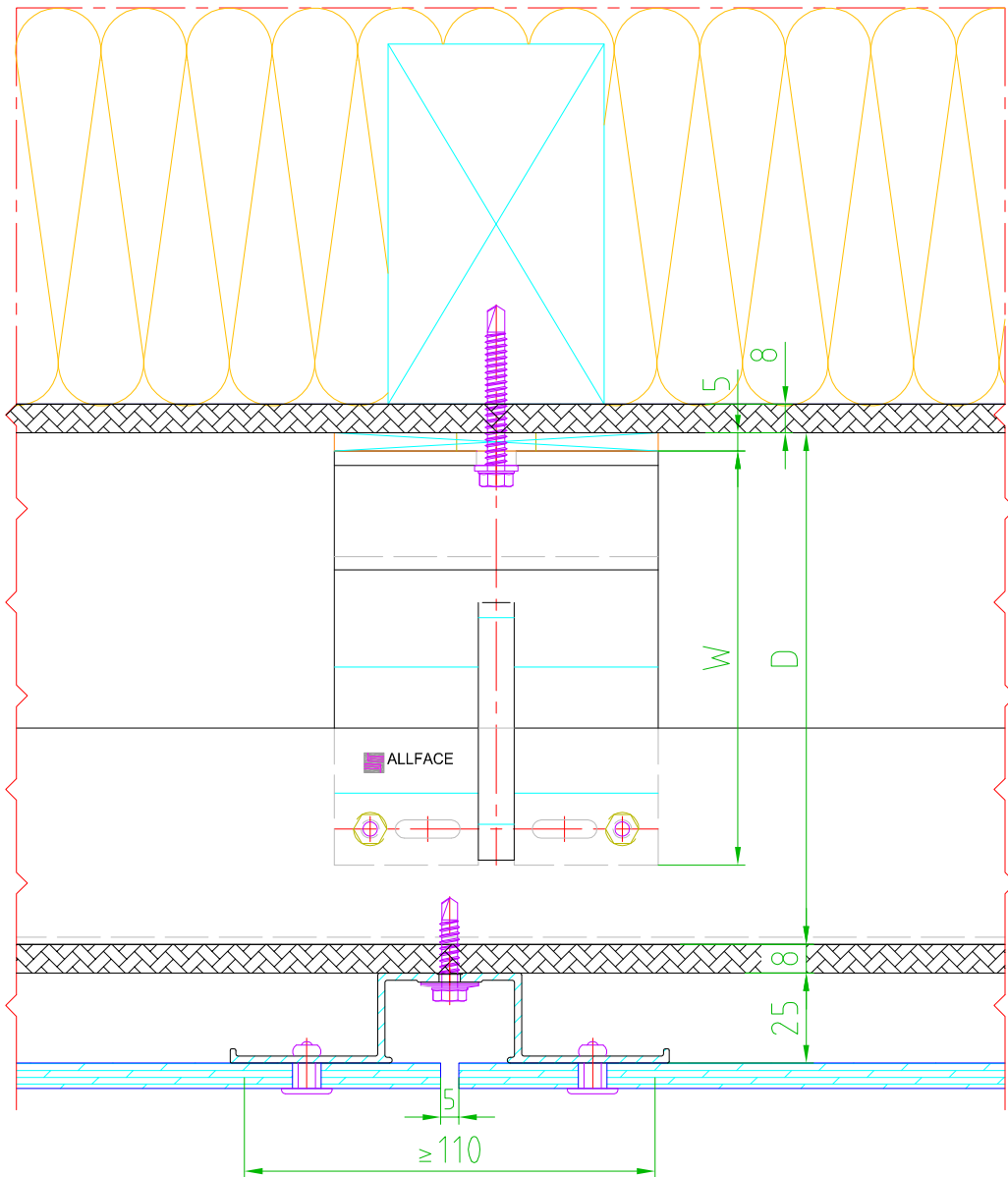


Table of Distances

bracket F2	bracket F2+	depth "W"	distance "D"
F2.35	F2+35	35mm	42mm <sup>x)</sup> - 80mm
F2.50	F2+50	50mm	57mm <sup>x)</sup> - 95mm
F2.80	F2+80	80mm	87mm - 125mm
F2.115	F2+115	115mm	122mm - 160mm
F2.150	F2+150	150mm	157mm - 195mm
F2.185	F2+185	185mm	192mm - 230mm
F2.220	F2+220	220mm	227mm - 265mm

x) These distances can only be obtained by using vertical profiles with shorter flange length.

