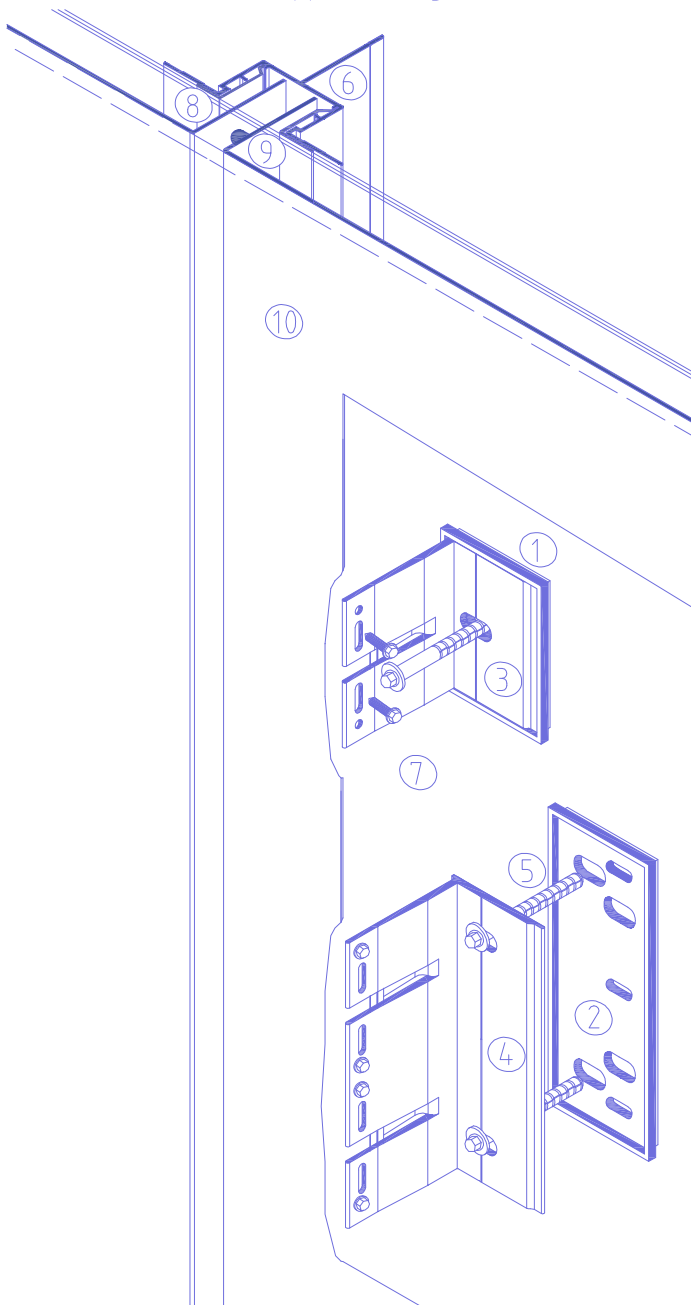


Contents	page 1
Construction depth	page 2
Horizontal section of panel joint	page 3
Horizontal section of external corner	page 4
Horizontal section of internal corner	page 5
Horizontal section of window reveal	page 6
Vertical section of fixed point	page 7
Vertical section of sliding point	page 8
Vertical section of bottom ending	page 9
Vertical section of upper ending	page 10



System F1.50	
Nr.	Description
1	insulator I.F1.CAM
2	insulator I+F1.CAM
3	bracket F1.
4	bracket F1+
5	wall anchor
6	Y-profile
7	self drilling screw or rivet
8	bolt-holder
9	bolt $\varnothing 10..52$
10	cassette of metall sheet

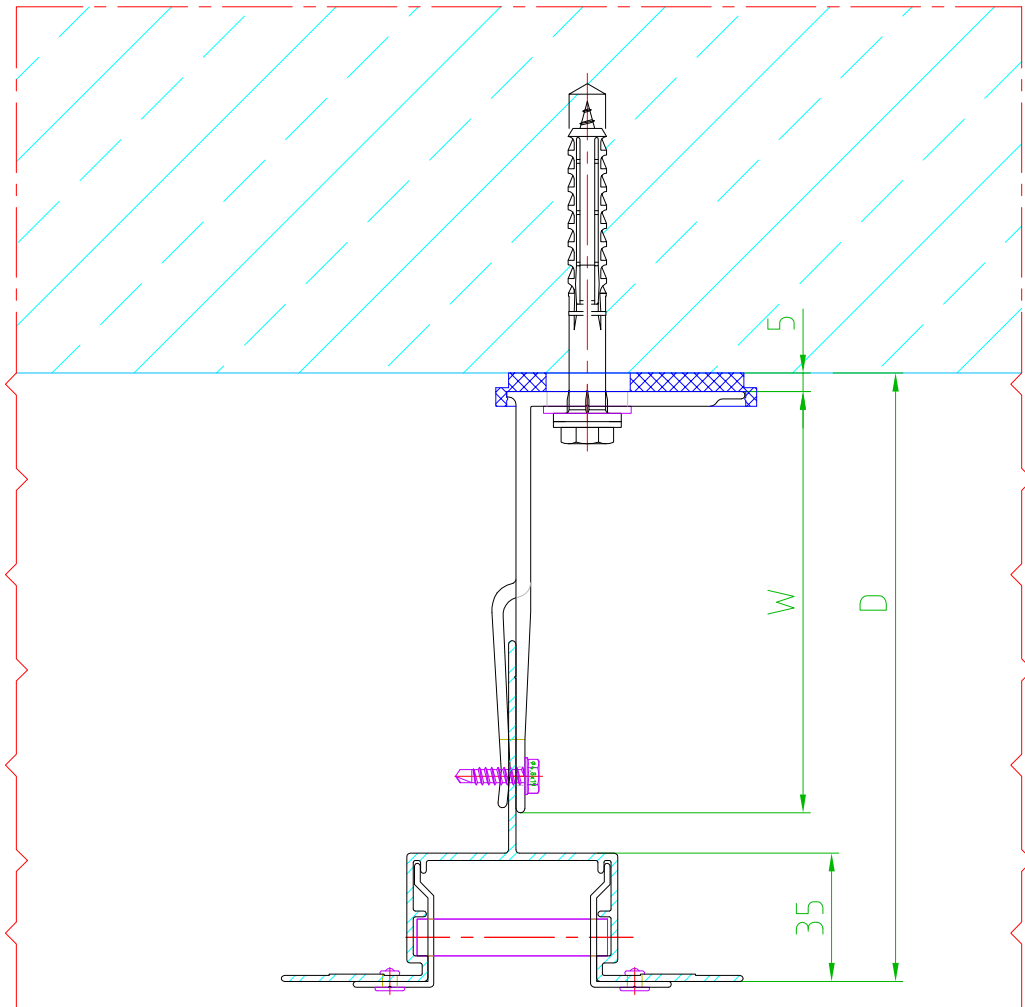


Table of Distances

bracket F1	bracket F1+	depth "W"	distance "D"
F1.35	F1+35	35mm	42mm - 80mm
F1.50	F1+50	50mm	57mm - 95mm
F1.80	F1+80	80mm	87mm - 125mm
F1.100	F1+100	100mm	107mm - 145mm
F1.115	F1+115	115mm	122mm - 160mm
F1.135	F1+135	135mm	142mm - 180mm
F1.150	F1+150	150mm	157mm - 195mm
F1.170	F1+170	170mm	177mm - 215mm
F1.185	F1+185	185mm	192mm - 230mm
F1.200	F1+200	200mm	207mm - 245mm
F1.220	F1+220	220mm	227mm - 265mm
F1.255	F1+255	255mm	262mm - 300mm

x) These distances can only be obtained by using vertical profiles with shorter flange length.

