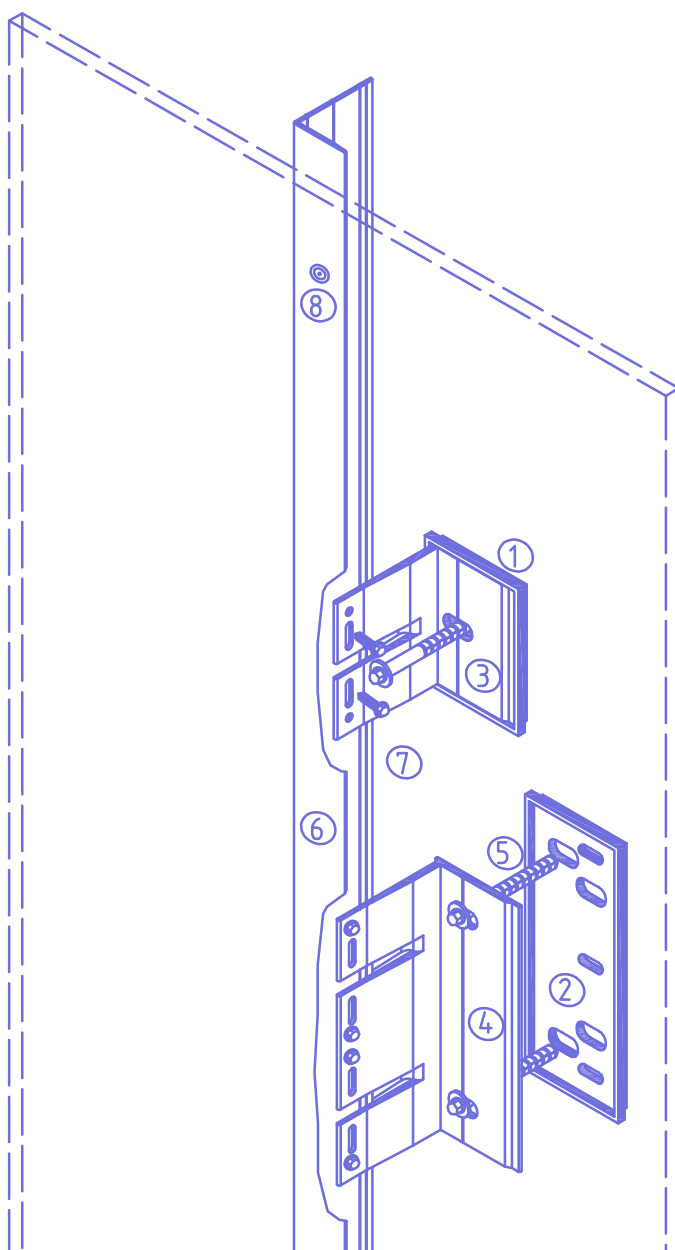


| | |
|---------------------------------------|---------|
| Contents | page 1 |
| Construction depth | page 2 |
| Horizontal section of panel joint | page 3 |
| Horizontal section of mid support | page 4 |
| Horizontal section of external corner | page 5 |
| Horizontal section of internal corner | page 6 |
| Horizontal section of window reveal | page 7 |
| Vertical section of fixed point | page 8 |
| Vertical section of sliding point | page 9 |
| Vertical section of bottom ending | page 10 |
| Vertical section of upper ending | page 11 |



| System F1.10 | |
|--------------|-----------------------|
| Nr. | Description |
| 1 | insulator I.F1.CAM |
| 2 | insulator I+F1.CAM |
| 3 | bracket F1. |
| 4 | bracket F1+ |
| 5 | wall anchor |
| 6 | L-profile |
| 7 | self drilling screw |
| 8 | facade panel fastener |

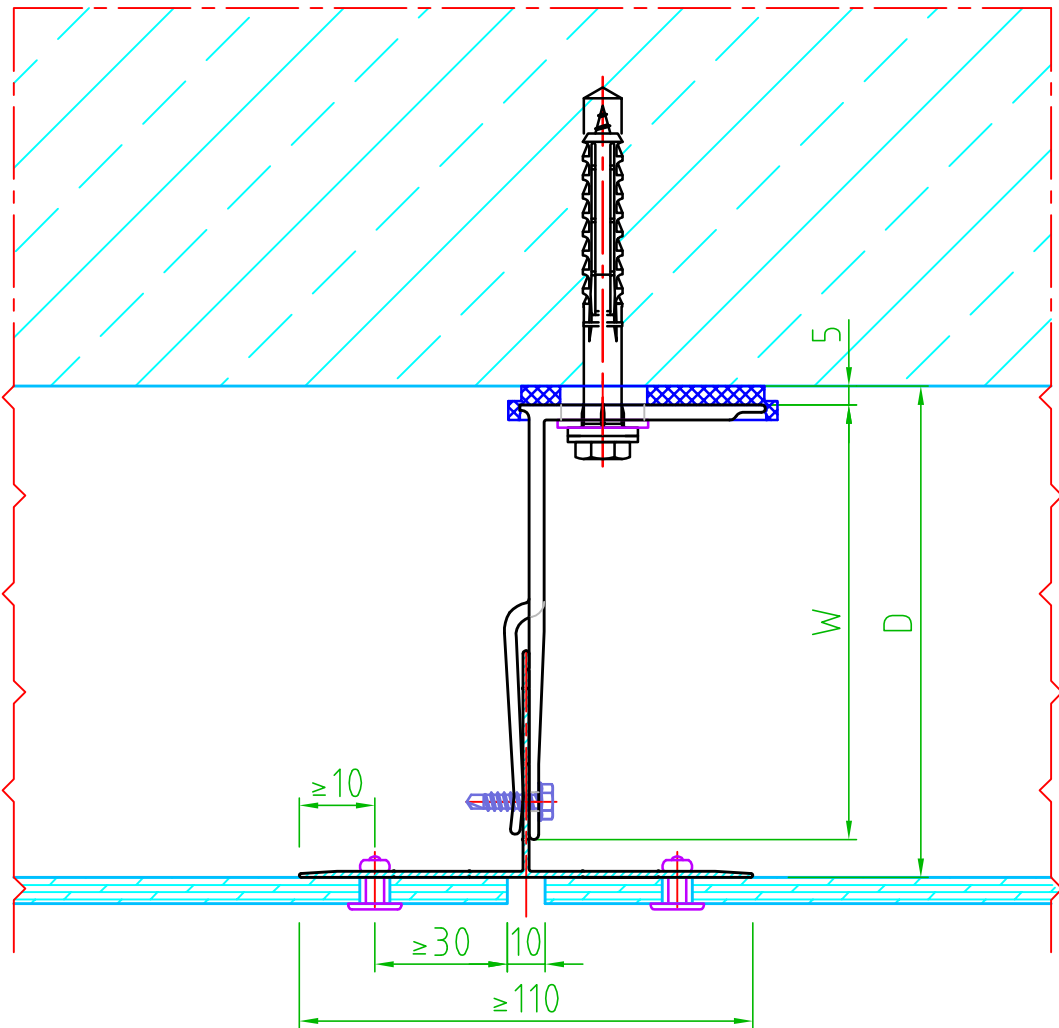


Table of Distances

| bracket F1 | bracket F1+ | depth "W" | distance "D" |
|------------|-------------|-----------|---------------------------|
| F1.35 | F1+35 | 35mm | 42mm ^{x)} - 80mm |
| F1.50 | F1+50 | 50mm | 57mm ^{x)} - 95mm |
| F1.80 | F1+80 | 80mm | 87mm - 125mm |
| F1.100 | F1+100 | 100mm | 107mm - 145mm |
| F1.115 | F1+115 | 115mm | 122mm - 160mm |
| F1.135 | F1+135 | 135mm | 142mm - 180mm |
| F1.150 | F1+150 | 150mm | 157mm - 195mm |
| F1.170 | F1+170 | 170mm | 177mm - 215mm |
| F1.185 | F1+185 | 185mm | 192mm - 230mm |
| F1.200 | F1+200 | 200mm | 207mm - 245mm |
| F1.220 | F1+220 | 220mm | 227mm - 265mm |
| F1.255 | F1+255 | 255mm | 262mm - 300mm |

x)These distances can only be obtained by using vertical profiles with shorter flange length.

